

Specification

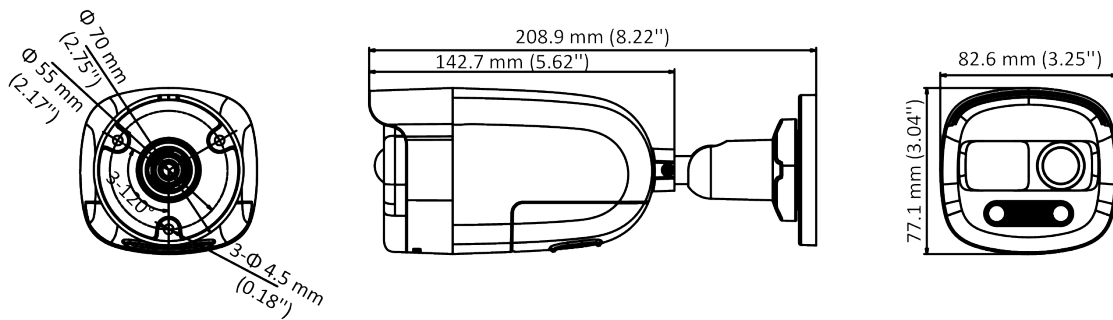
Camera	
Image Sensor	2 MP CMOS
Signal System	PAL/NTSC
Resolution	1920 (H) × 1080 (V)
Frame Rate	TVI: 1080p@30fps, 1080p@25fps AHD: 1080p@30fps, 1080p@25fps CVI: 1080p@30fps, 1080p@25fps CVBS: PAL/NTSC
Min. illumination	0.01 Lux @ (F1.2, AGC ON), 0 Lux with IR
Shutter Time	PAL: 1/25 s to 1/50, 000 s NTSC: 1/30 s to 1/50, 000 s
Lens	2.8 mm, 3.6 mm, 6 mm fixed lens
Field of View	2.8 mm, horizontal FOV: 106°, vertical FOV: 57°, diagonal FOV: 124° 3.6 mm, horizontal FOV: 81°, vertical FOV: 43°, diagonal FOV: 96° 6 mm, horizontal FOV: 51°, vertical FOV: 29°, diagonal FOV: 58°
Lens Mount	M12
Flashing Light Alarm (Red & Blue)	Yes
Audible Alarm	Yes
Day & Night	ICR
WDR (Wide Dynamic Range)	Digital WDR
Angle Adjustment	Pan: 0 to 360°, Tilt: 0 to 90°, Rotation: 0 to 360°
Menu	
Image Mode	STD/HIGH-SAT
AGC	Yes
Day/Night Mode	Auto/Color/BW (Black and White)
White Balance	Auto/Manual
AE (Auto Exposure) Mode	DWDR/BLC/HLC/Global
Noise Reduction	2D DNR
Language	English
Function	Brightness, Sharpness, Mirror, Smart IR
Interface	
Video Output	Switchable TVI/AHD/CVI/CVBS
General	
Operating Conditions	-40 °C to 60 °C (-40 °F to 140 °F), humidity 90% or less (non-condensing)
Power Supply	12 VDC ± 25% <i>*You are recommended to use one power adapter to supply the power for one camera.</i>
Power Consumption	Max. 6.6 W
Protection Level	IP67

General	
Material	Front Cover: Metal Main Body: Plastic
IR Range	Up to 40 m
PIR Range	Angle: 110°, Range: 11 m
Communication	HIKVISION-C
Dimensions	77.1 mm × 82.6 mm × 208.9 mm (3.04" × 3.25" × 8.22")
Weight	Approx. 439 g (0.97 lb.)

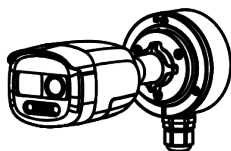
Available Model

DS-2CE12D0T-PIRXF

Dimension



Accessory



DS-1280ZI-XS
Junction Box