

## Specification

<b>Camera</b>	
Image Sensor	1/2.7" Progressive Scan CMOS
Min. Illumination	0.01Lux @ (F1.2, AGC ON), 0 Lux with IR
Shutter Speed	1/3 s to 1/100,000 s, support auto electronic shutter
Slow Shutter	Support
Lens	6 mm, horizontal field of view 53.9° [4 mm (90°), 8 mm (37.9°), 12 mm (24.3°), optional]
Lens Mount	M12
Day & Night	IR cut filter
DNR	3D DNR
Wide Dynamic Range	120dB
3-Axis Adjustment	Pan: -15° to 15°, tilt: 0° to 30°, rotate: -90° to 90°
<b>Compression Standard</b>	
Video Compression	Main stream: H.265/H.264 Sub stream: H.265/H.264/MJPEG Third stream: H.265/H.264
H.264 Type	Baseline Profile/Main Profile/High Profile
H.264+	Support
H.265 Type	Main Profile
H.265+	Support
Video Bit Rate	32 Kbps to 16 Mbps
<b>Image</b>	
Max. Resolution	1280 × 960
Main Stream	50Hz: 25fps (1280 × 960, 1280×720) 60Hz: 30fps (1280 × 960, 1280×720)
Sub Stream	50Hz: 25fps (704 × 576, 640 × 480, 352 × 288, 320 × 240) 60Hz: 30fps (704 × 480, 640 × 480, 352 × 240, 320 × 240)
Third Stream	50Hz: 25fps (1280 × 960, 1280 × 720, 704 × 576, 640 × 480, 352 × 288, 320 × 240) 60Hz: 30fps (1280 × 960, 1280 × 720, 704 × 480, 640 × 480, 352 × 240, 320 × 240)
Image Enhancement	BLC/HLC/3D DNR/Defog/EIS
Image Settings	Support rotate mode. Brightness, contrast, saturation, and sharpness adjustable via web browser and client software
ROI (Region of Interest)	Support 4 fixed region for each stream, or face dynamic tracking
Target Cropping	Support
Day/Night Switch	Auto/Schedule
Picture Overlay	LOGO picture can be overlaid on video with 128 × 128, 24 bit bmp format
<b>Network</b>	
Network Storage	NAS (Support NFS, SMB/CIFS)
Alarm Trigger	Motion Detection, Tampering Alarm, Network Disconnected, IP Address Conflict, Illegal Login, HDD full, HDD error
Protocols	TCP/IP, UDP, ICMP, HTTP, HTTPS, FTP, DHCP, DNS, DDNS, RTP, RTSP, RTCP, PPPoE, NTP, UPnP, SMTP, SNMP, IGMP, 802.1X, QoS, IPv6
Standard	ONVIF (PROFILE S, PROFILE G), ISAPI
General Function	One-key Reset, Anti-Flicker, Three Streams, Heartbeat, Mirror, Password Protection, Privacy Mask, Watermark, IP Address Filter
<b>Smart Feature-set</b>	

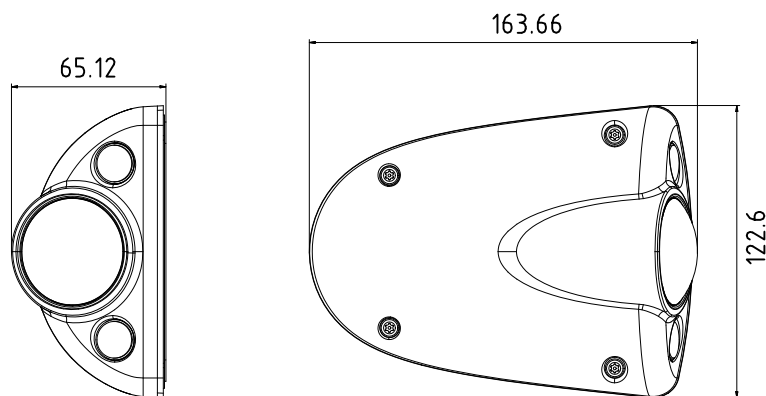
Behavior Analysis	Line crossing detection, Intrusion detection, Region entrance, Region exiting, Unattended baggage, Object removal
Line Crossing Detection	Cross a pre-defined virtual line
Intrusion Detection	Enter and loiter in a pre-defined virtual region
Region Entrance	Enter a pre-defined virtual region from the outside place
Region Exit	Exit from a pre-defined virtual region
Unattended Baggage	Objects left over in the pre-defined region such as the baggage, purse, dangerous materials
Object Removal	Objects removed from the pre-defined region, such as the exhibits on display.
Exception Detections	Scene change detection, defocus detection
Face Detection	Human face appears in the image can be detected and trigger linkage method
<b>Interface</b>	
Communication Interface	-IM: M12 aviation plug -I: 1 RJ45 10M/100M Ethernet port
<b>General</b>	
Operating Conditions	-40 °C to 70 °C (-40 °F to 158 °F), Humidity 95% or less (non-condensing)
Power Supply	DC12V; PoE (802.3af)
Power Consumption	Max. 8.5W
IR Range	Up to 10 m
Protection Level	IP68, IK10
Dimensions	163.7 × 122.6 × 65.1 mm (6.4" × 4.8" × 2.6")
Weight	Camera: 960g (2.1 lb.) With Package: 1050g (2.3 lb.)

## Order Models

DS-2XM6512WD-I: a RJ45 network interface and a power supply interface

DS-2XM6512WD-IM: an M12 aviation plug

## Dimension



Unit: mm