

## DS-909VFIR3 HD1080P Motorized VF EXIR Turret Camera



### Key Features

- 2 Megapixel high-performance CMOS
- Analog HD output, up to 1080P resolution
- 2.8mm-12mm motorized vari-focal lens
- True Day/Night
- Up the Coax(HIKVISION-C)
- True WDR, up to 120dB
- EXIR technology, up to 40m IR distance
- IP66 weatherproof

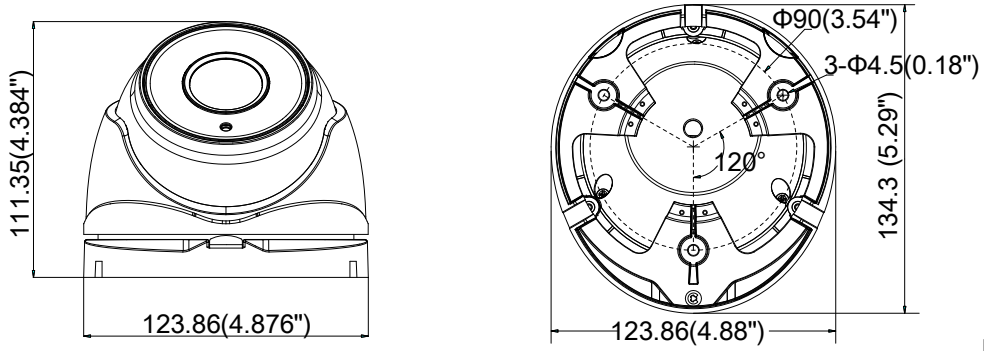
## Specifications

<b>Camera</b>	
Image Sensor	2MP CMOS Image Sensor
Signal System	PAL/NTSC
Effective Pixels	1928(H)*1088(V)
Min. illumination	0.01 Lux @ (F1.2,AGC ON),0 Lux with IR
Shutter Time	1/25(1/30)s to 1/50,000s
Lens	Motorized VF lens; 2.8 - 12 mm
	Angle of view: 35.1°-114.5°
Lens Mount	φ14
Day & Night	ICR
Angle Adjustment	Pan: 0° - 360°; Tilt:0° - 75°; Rotate: 0° - 360°
Synchronization	Internal Synchronization
WDR	120dB
Video Frame Rate	1080p@25fps/1080p@30fps
HD Video Output	1 Analog HD output
S/N Ratio	>62dB
<b>Menu</b>	
AGC	Support
D/N Mode	Color/BW/SMART
White Balance	ATW/ MWB
BLC	Support
Functions	Wide Dynamic Range, Digital noise reduction, Mirror, SMART IR
<b>General</b>	
Operating Conditions	-40 °C – 60 °C (-40 °F – 140 °F), Humidity 90% or less (non-condensing)
Power Supply	12 VDC ± 15%
Power Consumption	Max. 6W
Protection Level	IP66
IR Range	Up to 40m
Communication	Up the coax, Protocol: HIKVISION-C (TVI output)
Dimensions	134.3mm×123.9mm×111.4mm (5.29"×4.88"×4.39")
Weight	Approx. 750g (1.57lb)

## Order Models

DS-909VFIR3

## Dimensions



Unit: mm