

## DS-2CD2720F-IZ(S) 2.0MP 1/2.7" CMOS ICR Dome Network Camera



### Key Features

- Up to 2.0 megapixel (1920 × 1080) high resolution
- Built-in Micro SD/SDHC/SDXC card slot, up to 128 GB
- Great performance and long lifespan Infrared LED, Approx. 20 to 30 meters IR range
- IR cut filter with auto switch
- DC12V & PoE
- Motorized lens
- Digital Wide Dynamic Range
- 3D Digital Noise Reduction
- Backlight Compensation
- Auto Electronic Shutter
- 3-axis adjustment
- IP66 weather-proof protection
- IK10 vandal-proof protection
- Mobile Monitoring via Hik-Connect or iVMS-4500



## Specifications

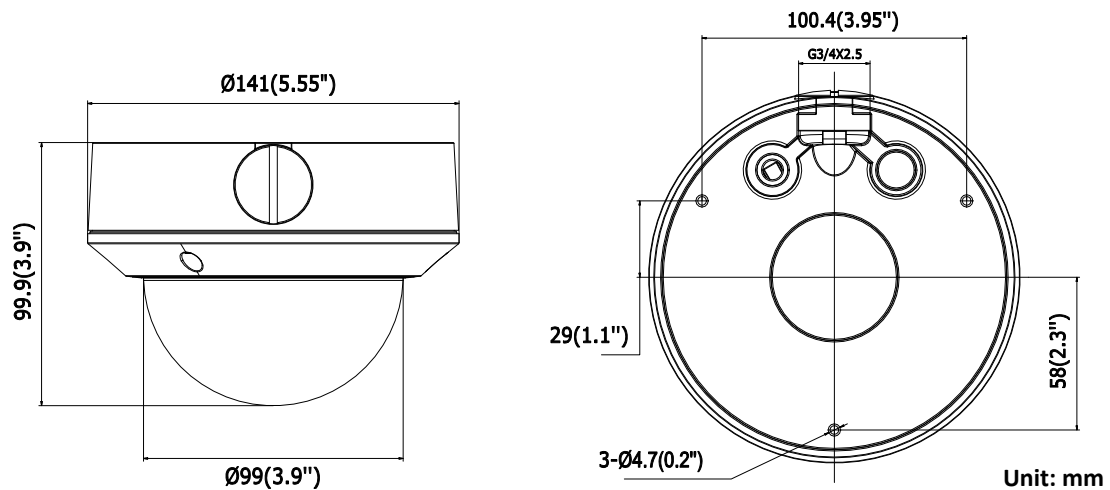
<b>Camera</b>	
Image Sensor	1/2.7" Progressive Scan CMOS
Min. Illumination	0.01Lux @ (F1.2, AGC ON), 0 Lux with IR
Shutter Speed	1/3 s to 1/100,000 s
Lens	2.7-12mm @ F1.4, horizontal field of view: 113° to 33.8°
Lens Mount	Φ14
Day & Night	IR cut filter with auto switch
DNR	3D DNR
Wide Dynamic Range	Digital Wide Dynamic Range
3-Axis Adjustment	Pan: 0° to 355°, Tilt: 0° to 75°, Rotation: 0° to 355°
<b>Compression Standard</b>	
Video Compression	H.264/MJPEG
H.264 Type	Baseline Profile/Main Profile
Video Bit Rate	32 Kbps to 8 Mbps
Audio Compression	G.711/G.722.1/G.726/MP2L2
Audio Bit Rate	64Kbps(G.711)/16Kbps(G.722.1)/16Kbps(G.726)/32-128Kbps(MP2L2)
Dual Streams	Support
<b>Image</b>	
Max. Resolution	1920 × 1080
Frame Rate	50Hz: 25fps (1920 × 1080,1280 × 960,1280 × 720) 60Hz: 30fps (1920 × 1080,1280 × 960,1280 × 720)
Image Settings	Saturation, Brightness, Contrast, etc., adjustable by client software or web browser
Backlight Compensation	Support, zone optional
Region of Interest	Support one customized region for each stream
<b>Network</b>	
Storage	Support Micro SD/SDHC/SDXC card (up to 128 GB) local storage and NAS (NFS,SMB/CIFS)
Alarm Trigger	Intrusion Detection, Line Crossing Detection, Motion Detection, Dynamic Analysis, Video Tempering Detection, Network Disconnected, IP Address Conflicted, HDD Full, HDD Error
Protocols	TCP/IP, UDP, ICMP, HTTP, HTTPS, FTP, DHCP, DNS, DDNS, RTP, RTSP, RTCP, PPPoE, NTP, UPnP, SMTP, SNMP, IGMP, 802.1X, QoS, IPv6, Bonjour
Standard	ONVIF (PROFILE S, PROFILE G), PSIA, CGI, ISAPI
General Function	Anti-Flicker, Dual Streams, Mirror, Password Protection, Privacy Mask, Watermark, Heartbeat
<b>Interface</b>	
Communication Interface	1 RJ45 10M/100M Ethernet port
On-board Storage	Built-in Micro SD/SDHC/SDXC slot, up to 128GB

<b>General</b>	
Operating Conditions	-30 °C to 60 °C (-22 °F to 140 °F), Humidity 95% or less (non-condensing)
Power Supply	DC12V ± 10%, PoE (802.3af)
Power Consumption	Max. 5.5 W
IR Range	Approx. 20 to 30 meters
Protection Level	IP66, IK10
Dimensions	Φ141 × 99.9 mm (5.55" × 3.94")
Weight	800g (1.76 lbs)

## Order Models

DS-2CD2720F-IZ, DS-2CD2720-IZS  
 -S: Audio/Alarm IO

## Dimension



## Camera Accessories



Wall mount  
DS-1273ZJ-135



Pendant mount  
DS-1271ZJ-135

Distributed by



### Headquarters

No.555 Qianmo Road, Binjiang District,  
Hangzhou 310051, China  
T +86-571-8807-5998  
overseasbusiness@hikvision.com

**Hikvision USA**  
T +1-909-895-0400  
sales.usa@hikvision.com

**Hikvision Italy**  
T +39-0438-6902  
info.it@hikvision.com

**Hikvision Singapore**  
T +65-6684-4718  
sg@hikvision.com

**Hikvision Europe**  
T +31-23-5542770  
saleseuro@hikvision.com

**Hikvision France**  
T +33(0)1-85-330-444  
info.fr@hikvision.com

**Hikvision Oceania**  
T +61-2-8599-4233  
salesau@hikvision.com

**Hikvision Middle East**  
T +971-4-8816086  
salesme@hikvision.com

**Hikvision Spain**  
T +34-91-737-16-55  
info.es@hikvision.com

**Hikvision Hong Kong**  
T +852-2151-1761

**Hikvision Russia**  
T +7-495-669-67-99  
saleru@hikvision.com

**Hikvision Poland**  
T +48-22-460-01-50  
poland@hikvision.com

**Hikvision Canada**  
T +1-909-895-0400  
sales.usa@hikvision.com

**Hikvision India**  
T +91-22-28469900  
sales@pramahikvision.com

**Hikvision UK**  
T +44-1628-9021-4  
support.uk@hikvision.com