

DS-2CD2610F-IZ(S) 1.3MP 1/3" CMOS ICR Bullet Network Camera



Key Features

- Up to 1.3 megapixel (1280 x 960) high resolution
- Built-in Micro SD/SDHC/SDXC card slot, up to 128 GB
- Great performance and long lifespan Infrared LED, Approx. 20 to 30 meters IR range
- IR cut filter with auto switch
- DC12V & PoE
- Motorized lens
- Digital Wide Dynamic Range
- 3D Digital Noise Reduction
- Backlight Compensation
- Auto Electronic Shutter
- IP67 weather-proof protection
- 3-axis adjustment
- Mobile Monitoring via Hik-Connect or iVMS-4500



Specifications

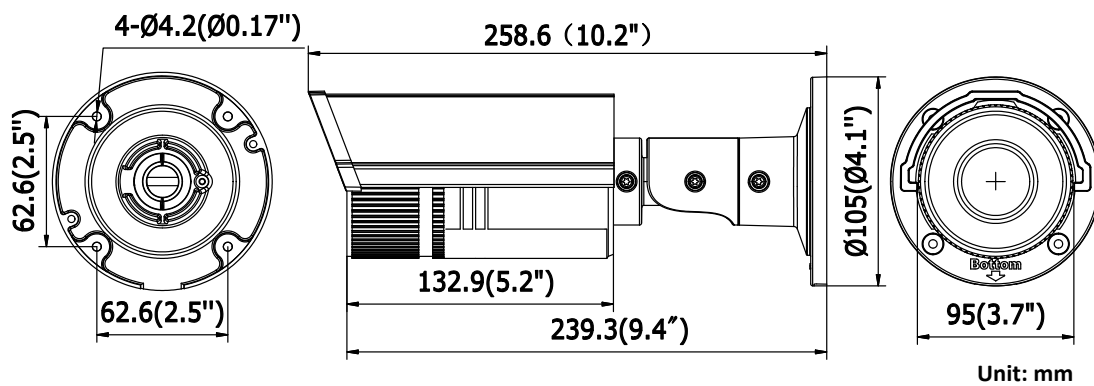
| Camera | |
|-----------------------------|--|
| Image Sensor | 1/3" Progressive Scan CMOS |
| Min. Illumination | 0.014Lux @ (F1.4, AGC ON), 0 Lux with IR |
| Shutter Speed | 1/3 s to 1/100,000 s |
| Lens | 2.7-12mm @ F1.4, horizontal field of view: 98° to 30.2° |
| Lens Mount | Φ14 |
| Day & Night | IR cut filter with auto switch |
| DNR | 3D DNR |
| Wide Dynamic Range | Digital Wide Dynamic Range |
| 3-Axis Adjustment | Pan: 0° to 360°, Tilt: 0° to 100°, Rotation: 0° to 360° |
| Compression Standard | |
| Video Compression | H.264/MJPEG |
| H.264 Type | Baseline Profile/Main Profile |
| Video Bit Rate | 32 Kbps to 8 Mbps |
| Audio Compression | G.711/G.722.1/G.726/MP2L2 |
| Audio Bit Rate | 64Kbps(G.711)/16Kbps(G.722.1)/16Kbps(G.726)/32-128Kbps(MP2L2) |
| Dual Streams | Support |
| Image | |
| Max. Resolution | 1280 × 960 |
| Max Frame Rate | 50Hz: Main stream: 25fps (1280 × 960,1280 × 720) 60Hz: Main stream: 30fps (1280 × 960,1280 × 720) |
| Sub Stream | 50 Hz: 25 fps (320 × 240), 25 fps (352 × 288), 25 fps (640 × 480), 25fps(704 × 576) 60 Hz: 30 fps (320 × 240), 30 fps (352 × 288), 30 fps (640 × 480), 30fps(704 × 576) |
| Image Settings | Saturation, Brightness, Contrast, etc., adjustable by client software or web browser |
| Backlight Compensation | Support, zone optional |
| Region of Interest | Support one customized region for each stream |
| Network | |
| Storage | Support Micro SD/SDHC/SDXC card (up to 128 GB) local storage and NAS (NFS,SMB/CIFS) |
| Detection | Intrusion Detection, Line Crossing Detection, Motion Detection, Dynamic Analysis |
| Alarm Trigger | Video Tempering Detection, Network Disconnected, IP Address Conflicted, HDD Full, HDD Error |
| Protocols | TCP/IP, UDP, ICMP, HTTP, HTTPS, FTP, DHCP, DNS, DDNS, RTP, RTSP, RTCP, NTP, UPnP, SMTP, IGMP, 802.1X, QoS, IPv6, Bonjour |
| Standard | ONVIF (PROFILE S, PROFILE G), PSIA, CGI, ISAPI |
| General Function | Anti-Flicker, Mirror, Password Protection, Privacy Mask, Watermark, Heartbeat |
| Interface | |
| Communication Interface | 1 RJ45 10M/100M Ethernet port |
| On-board Storage | Built-in Micro SD/SDHC/SDXC slot, up to 128GB |

| General | |
|----------------------|---|
| Operating Conditions | -30 °C to 60 °C (-22 °F to 140 °F), Humidity 95% or less (non-condensing) |
| Power Supply | DC12V ± 10%, PoE (802.3af) |
| Power Consumption | Max. 7.5 W |
| IR Range | Approx. 20 to 30 meters |
| Protection Level | IP67 |
| Dimensions | 258.6 × Φ105 mm (10.2" × 4.1") |
| Weight | 1200g (2.6 lbs) |

Order Models

DS-2CD2610F-IZ, DS-2CD2610-IZS
 -S: Audio/Alarm IO

Dimension



Camera Accessories



Junction Box
DS-1260ZJ



Vertical Pole Mount
DS-1275ZJ

Distributed by



Headquarters

No.555 Qianmo Road, Binjiang District,
Hangzhou 310051, China
T +86-571-8807-5998
overseasbusiness@hikvision.com

Hikvision USA
T +1-909-895-0400
sales.usa@hikvision.com

Hikvision Italy
T +39-0438-6902
info.it@hikvision.com

Hikvision Singapore
T +65-6684-4718
sg@hikvision.com

Hikvision Europe
T +31-23-5542770
saleseuro@hikvision.com

Hikvision France
T +33(0)1-85-330-444
info.fr@hikvision.com

Hikvision Oceania
T +61-2-8599-4233
salesau@hikvision.com

Hikvision Middle East
T +971-4-8816086
salesme@hikvision.com

Hikvision Spain
T +34-91-737-16-55
info.es@hikvision.com

Hikvision Hong Kong
T +852-2151-1761

Hikvision Russia
T +7-495-669-67-99
saleru@hikvision.com

Hikvision Poland
T +48-22-460-01-50
poland@hikvision.com

Hikvision Canada
T +1-909-895-0400
sales.usa@hikvision.com

Hikvision India
T +91-22-28469900
sales@pramahikvision.com

Hikvision UK
T +44-1628-9021-4
support.uk@hikvision.com