

Specification

| Camera Module | |
|-----------------------|---|
| Image Sensor | 1/1.9" progressive scan CMOS |
| Min. Illumination | Color: 0.002 Lux @(F1.5, AGC ON) B/W: 0.0002 Lux @(F1.5, AGC ON) 0 Lux with IR |
| White Balance | Auto/Manual/ATW (Auto-Tracking White Balance)/Indoor/Outdoor/Fluorescent Lamp/Sodium Lamp |
| Gain | Auto/Manual |
| Shutter Time | 50Hz: 1/1 s to 1/30,000 s 60Hz: 1/1 s to 1/30,000 s |
| Day & Night | IR Cut Filter |
| Digital Zoom | 16x |
| Privacy Mask | 24 programmable privacy masks |
| Focus Mode | Auto/Semi-automatic/Manual |
| WDR | 120 dB |
| Lens | |
| Focal Length | 5.7 mm to 205.2 mm, 36x optical zoom |
| Zoom Speed | Approx. 4.4 s (optical lens, wide-tele) |
| FOV | Horizontal field of view: 59.8° to 2.0° (wide-tele) Vertical field of view: 32.7° to 1.8° (wide-tele) Diagonal field of view: 66.8° to 3.7° (wide-tele) |
| Working Distance | 10 mm to 1500 mm (wide-tele) |
| Aperture Range | F1.5 to F4.5 |
| IR | |
| IR Distance | 200 m |
| Smart IR | Yes |
| PTZ | |
| Movement Range (Pan) | 360° endless |
| Pan Speed | Configurable, from 0.1°/s to 210°/s Preset Speed: 280°/s |
| Movement Range (Tilt) | From -20° to 90° (auto-flip) |
| Tilt Speed | Configurable, from 0.1°/s to 150°/s Preset Speed: 250°/s |
| Proportional Zoom | Yes |
| Presets | 300 |
| Patrol Scan | 8 patrols, up to 32 presets for each patrol |
| Pattern Scan | 4 pattern scans, record time over 10 minutes for each scan |
| Power-off Memory | Yes |
| Park Action | Preset/Pattern Scan/Patrol Scan/Auto Scan/Tilt Scan/Random Scan/Frame Scan/Panorama Scan |
| PTZ Position Display | Yes |
| Preset Freezing | Yes |
| Scheduled Task | Preset/Pattern Scan/Patrol Scan/Auto Scan/Tilt Scan/Random Scan/Frame Scan/Panorama Scan/Dome Reboot/Dome Adjust/Aux Output |
| Compression Standard | |
| Video Compression | Main Stream: H.265+/H.265/H.264+/H.264 Sub-Stream: H.265/H.264/MJPEG Third Stream: H.265/H.264/MJPEG |
| H.264 Type | Baseline Profile/Main Profile/High Profile |
| H.264+ | Yes |

| | |
|-----------------------------|--|
| H.265 Type | Main Profile |
| H.265+ | Yes |
| Video Bitrate | 256 Kbps to 16384 Kbps |
| Audio Compression | G.711alaw/G.711ulaw/G.722/G.726/MP2L2/PCM |
| Audio Bitrate | 64 Kbps (G.711)/16 Kbps (G.722.1)/16 Kbps (G.726)/32 Kbps to 160 Kbps (MP2L2) |
| SVC | Yes |
| Smart Feature | |
| Basic Event Detection | Motion Detection, Video Tampering Detection, Alarm Input, Alarm Output, Exception |
| Smart Detection | Audio Exception Detection |
| Traffic Violation Detection | Illegal Parking Detection, Reverse Driving Detection |
| Smart Record | ANR (Automatic Network Replenishment), Dual-VCA |
| ROI encoding | Main stream, sub-stream and third stream respectively support eight fixed areas. |
| Image | |
| Max. Resolution | 1920 × 1080 |
| Main Stream | 50Hz: 25fps (1920 × 1080, 1280 × 960, 1280 × 720) 50fps (1920 × 1080, 1280 × 960, 1280 × 720) 60Hz: 30fps (1920 × 1080, 1280 × 960, 1280 × 720) 60fps (1920 × 1080, 1280 × 960, 1280 × 720) |
| Sub-Stream | 50Hz: 25fps (704 × 576, 640 × 480, 352 × 288) 60Hz: 30fps (704 × 480, 640 × 480, 352 × 240) |
| Third Stream | 50Hz: 25fps (1920 × 1080, 1280 × 960, 1280 × 720, 704 × 576, 640 × 480, 352 × 288) 60Hz: 30fps (1920 × 1080, 1280 × 960, 1280 × 720, 704 × 480, 640 × 480, 352 × 240) |
| Image Enhancement | HLC/BLC/3D DNR/Defog/EIS/Regional Exposure/Regional Focus |
| Network | |
| Network Storage | Built-in memory card slot, support Micro SD/SDHC/SDXC, up to 256 GB; NAS (NPS, SMB/ CIFS), ANR |
| Alarm Linkage | Alarm actions, such as Memory Card Video Record, Trigger Recording, Notify Surveillance Center, Upload to FTP/Memory Card/NAS, Send Email, etc. |
| Protocols | IPv4/IPv6, HTTP, HTTPS, 802.1x, Qos, FTP, SMTP, UPnP, SNMP, DNS, DDNS, NTP, RTSP, RTCP, RTP, TCP/IP, UDP, IGMP, ICMP, DHCP, PPPoE, Bonjour |
| API | Open-ended, support ONVIF, ISAPI, and CGI, support HIKVISION SDK and Third-Party Management Platform |
| Simultaneous Live View | Up to 20 channels |
| User/Host | Up to 32 users. 3 levels: Administrator, Operator and User |
| Security Measures | User authentication (ID and PW), Host authentication (MAC address); HTTPS encryption; IEEE 802.1x port-based network access control; IP address filtering |
| Terminal Server | iDS-TP50-12DT |
| Web Browser | IE 8+, Firefox 30+, Safari 8.0+ web browser |
| Interface | |
| Alarm Input | 7-ch alarm input |
| Alarm Output | 2-ch alarm output |
| Audio Input | 1-ch audio input |
| Audio Output | 1-ch audio output |
| Network Interface | 1 RJ45 10 M/100 M Ethernet Interface |
| General | |
| Power | 24 VAC (Max. 60 W) Max. 14 W for IR |
| Working Temperature | -40°C to 65°C (-40°F to 149°F) |
| Working Humidity | ≤ 90% |
| Protection Level | IP66 Standard, 6000V Lightning Protection, Surge Protection and Voltage Transient Protection |

| | |
|------------|----------------------------------|
| Wiper | Yes |
| Material | Aluminum Alloy |
| Dimensions | Φ267 mm ×410 mm (Φ10.51"×16.14") |
| Weight | Approx. 8 kg (17.64 lb) |

DORI

The DORI (detect, observe, recognize, identify) distance gives the general idea of the camera ability to distinguish persons or objects within its field of view.

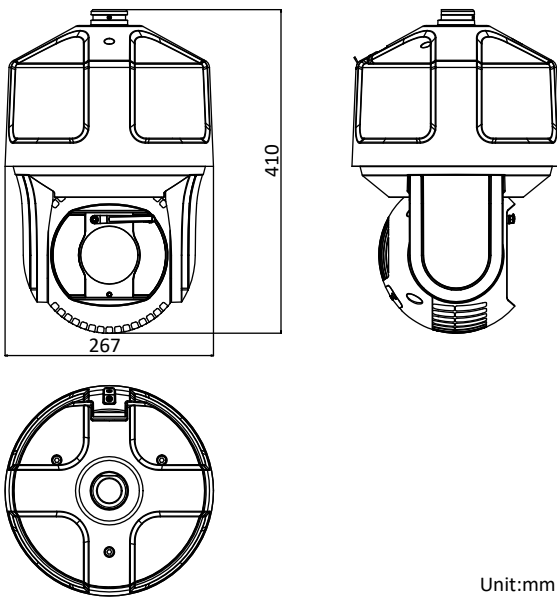
It is calculated based on the camera sensor specification and the criteria given by EN 62676-4: 2015.

| DORI | Detect | Observe | Recognize | Identify |
|-----------------|----------------------|-------------------|---------------------|------------------|
| Definition | 25 px/m | 63 px/m | 125 px/m | 250 px/m |
| Distance (Tele) | 2154.7 m (7069.2 ft) | 855 m (2805.1 ft) | 430.9 m (1413.7 ft) | 215.5 m (707 ft) |

Available Model

iDS-2VS235-F836, Wiper, 24 VAC

Dimensions



Unit:mm