

Specifications

Camera	
Image Sensor	1/1.8" Progressive Scan CMOS
Min. Illumination	Color: 0.002 Lux @ (F1.2, AGC ON); 0.031 Lux @ (F1.5, AGC ON), 0 Lux with white light on
Shutter Speed	1 s to 1/100,000 s
Slow Shutter	Yes
Auto-iris	DC drive
Day & Night	IR Cut Filter
Digital Noise Reduction	3D DNR
WDR	120 dB
Lens	
Focal length	2.8 to 12 mm 8 to 32 mm
Aperture	2.8 to 12 mm: F1.5 - 2.8 8 to 32 mm: F1.6
FOV	2.8 to 12 mm: horizontal FOV 81.8° to 31.2°, vertical FOV: 43.5° to 17.6°, diagonal FOV: 97° to 36.3° 8 to 32 mm: horizontal FOV 42° to 13.2°, vertical FOV: 23.6° to 7.8°, diagonal FOV: 49° to 15.5°
IR/White Light	
IR Range (-LZS)	Up to 100 m
IR Wavelength	850nm
White Light (-LZS)	Up to 30 m
Compression Standard	
Video Compression	Main stream/third stream: H.265/H.264 Sub-stream, fourth stream and fifth stream: H.265/H.264/MJPEG
H.264 Type	Baseline Profile/Main Profile/High Profile
H.264+	Main stream supports
H.265 Type	Main Profile
H.265+	Main stream supports
Video Bit Rate	32 Kbps to 16 Mbps
Audio Compression	G.711ulaw/G.711alaw/G.722.1/G.726/MP2L2/PCM
Audio Bit Rate	64Kbps(G.711ulaw/G.711alaw)/16Kbps(G.722.1)/16Kbps(G.726)/32-192Kbps(MP2L2)
Smart Feature-set	
Behavior Analysis	Line crossing detection, intrusion detection, region entrance detection, region exiting detection, unattended baggage detection, object removal detection
Exception Detection	Scene change detection, audio exception detection
Face Detection	Yes
Recognition	License Plate Recognition
Region of Interest	Support 4 fixed regions for each stream, and dynamic tracking
Road Traffic and Vehicle Detection	
Accuracy	Capture Rate > 99%, accuracy rate > 98% when only one lane is configured
Vehicle Speed	Support vehicle speed under 120 km/h (74.6 mi/h)
Lane number	2 lanes
Direction	Support capture and recognition of vehicles both approaching and leaving
Whitelist and Blacklist	Up to 10000

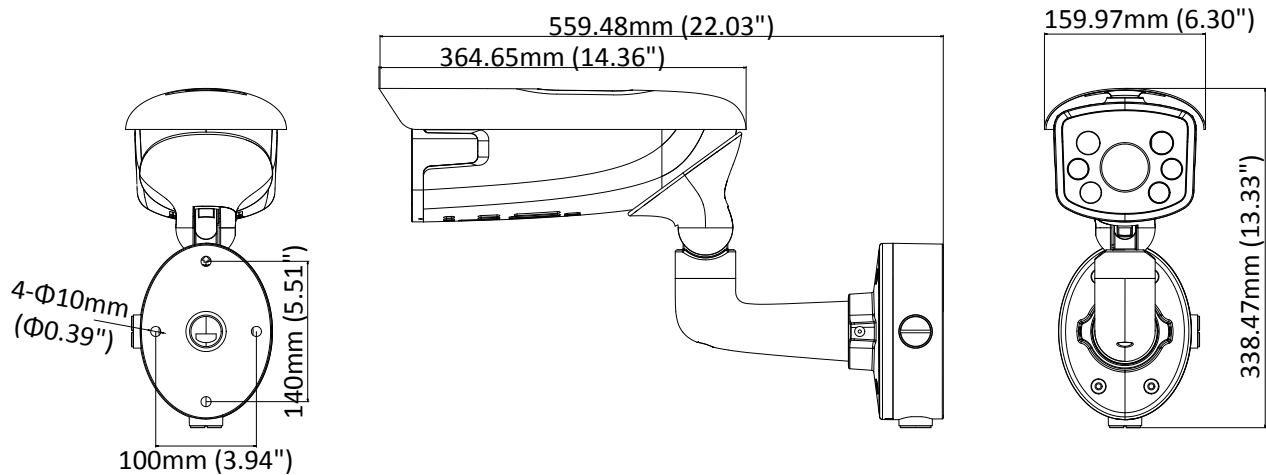
Country/Region and License Plate Type	Country/Region: Mid-East (United Arab Emirates, Qatar, Bahrain, Oman, Saudi Arabia, Kuwait, Yemen, Iraq, Syria, Jordan, Lebanon, and Egypt) Supported License Plate Type: Private, Truck, Taxi, Public, Learning, Police, Commercial, Export, Moto Bike, Public Transfer, CD, CC, Army, Commercial Use, Testing, Government, Protocol, Private Transport, Unknown
Image	
Max. Resolution	1920 × 1080
Main Stream	50Hz: 50fps (1920 × 1080, 1280 × 960, 1280 × 720) 60Hz: 60fps (1920 × 1080, 1280 × 960, 1280 × 720)
Sub Stream	50Hz: 25fps (704 × 576, 640 × 480) 60Hz: 30fps (704 × 480, 640 × 480)
Third Stream	50Hz: 25fps (1920 × 1080, 1280 × 960, 1280 × 720, 704 × 576, 640 × 480) 60Hz: 30fps (1920 × 1080, 1280 × 960, 1280 × 720, 704 × 480, 640 × 480)
Fourth and Fifth Stream	50Hz: 25fps (704 × 576, 640 × 480) 60Hz: 30fps (704 × 480, 640 × 480)
Image Enhancement	BLC, defog, EIS, 3D DNR, HLC
Image Setting	Saturation, brightness, contrast, sharpness, AGC and white balance adjustable by client software or web browser
Target Cropping	Yes
SVC	Yes
Day/Night Switch	Auto/Schedule/Day/Night/Triggered by Alarm In
Picture Overlay	LOGO picture can be overlaid on video with 128 × 128 24bit bmp format
Network	
Network Storage	Support Micro SD/SDHC/SDXC card (128G) local storage, NAS (NFS,SMB/CIFS), ANR
Alarm Trigger	Motion detection, video tampering alarm, network disconnected, IP address conflict, illegal login, HDD full, HDD error
Protocols	TCP/IP, ICMP, HTTP, HTTPS, FTP, DHCP, DNS, DDNS, RTP, RTSP, RTCP, PPPoE, NTP, UPnP™, SMTP, SNMP, IGMP, 802.1X, QoS, IPv6, UDP, Bonjour
General Function	One-key reset, anti-flicker, five streams, heartbeat, mirror, password protection, privacy mask, watermark, IP address filter
Firmware Version	V5.4.7
API	ONVIF (PROFILE S, PROFILE G), ISAPI, SDK
Simultaneous Live View	Up to 20 channels
User/Host	Up to 32 users. 3 user levels: Administrator, Operator and User
Client	iVMS-4200, Hik-Central
Web Browser	IE8+, Chrome 31.0-44, Firefox 30.0-51, Safari 8.0+
Interface	
Audio I/O	1-ch 3.5 mm audio input (line in), 1-ch 3.5 mm audio output (line out), mono sound
Communication Interface	1 RJ45 10M/100M/1000M self-adaptive Ethernet port, 1 RS-485 interface
Alarm I/O	2 inputs, 2 outputs (up to 24 VDC 1 A or 110 VAC 500 mA)
Video Output	1Vp-p composite output (75 Ω/BNC)
On-board storage	Built-in micro SD/SDHC/SDXC slot, up to 128 GB
Reset Button	Yes
Audio	
Environment Noise Filtering	Yes
Audio Sampling Rate	8 kHz/16 kHz/32 kHz/44.1 kHz/48 kHz
General	
Firmware Version	V5.4.7

Operating Conditions	-30 °C to 60 °C (-22 °F to 140 °F) Humidity 95% or less (non-condensing)
Power Supply	36 VDC, three-core terminal block
Power Consumption and Current	-IZS: 36 VDC, 1 A, max. 35 W -LZS: 36 VDC, 1.17 A, max. 42 W
Protection Level	IP67, IK10 (camera body)
Material	Aluminum alloy
Dimensions	Camera: 560 × 339 × 160 mm (22.0" × 13.3" × 6.3")
Weight	Camera: approx. 6 kg (13.2 lb.) With Package: approx. 8 kg (17.6 lb.)

Available Models:

iDS-2CD8626G0/P-IZS (2.8 to 12 mm), iDS-2CD8626G0/P-IZS (8 to 32 mm), iDS-2CD8626G0/P-LZS (2.8 to 12 mm), iDS-2CD8626G0/P-LZS (8 to 32 mm)

Dimensions



Accessories



DS-1275ZJ-4626
Vertical Pole Mount