

Specification

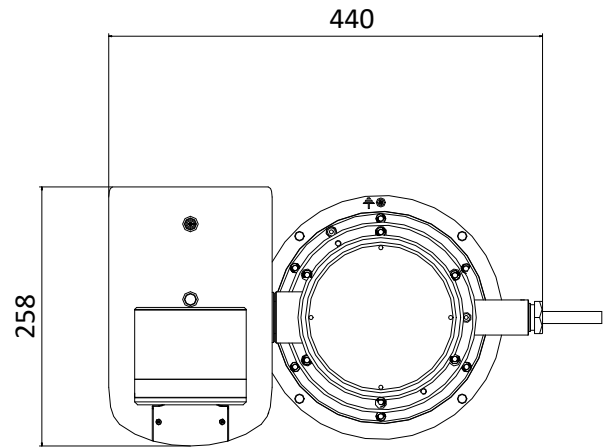
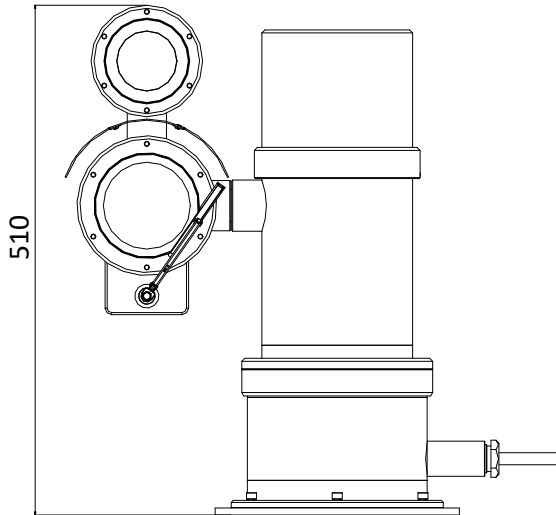
| Camera Module | |
|-----------------------|---|
| Image Sensor | 1/1.8" progressive scan CMOS |
| Min. Illumination | Color: 0.002 Lux @(F1.5, AGC ON) B/W: 0.0002 Lux @(F1.5, AGC ON) 0 Lux with IR |
| White Balance | Auto/Manual/ATW (Auto-tracking White Balance)/Indoor/Outdoor/Fluorescent Lamp/Sodium Lamp |
| Gain | Auto/Manual |
| Shutter Time | 50Hz: 1/1 s to 1/30,000 s 60Hz: 1/1 s to 1/30,000 s |
| Day & Night | IR Cut Filter |
| Digital Zoom | 16× |
| Privacy Mask | 24 programmable privacy masks |
| Focus Mode | Auto/Semi-automatic/Manual |
| WDR | 120 dB WDR |
| Lens | |
| Focal Length | 5.7 mm to 205 mm, 36× optical zoom |
| Zoom Speed | Approx. 4.4 s (optical lens, wide-tele) |
| Field of View | Horizontal field of view: 59.8° to 2.0° (wide-tele) Vertical field of view: 35° to 1.1° (wide-tele) Diagonal field of view: 66.2° to 2.3° (wide-tele) |
| Working Distance | 10 mm to 1500 mm (wide-tele) |
| Aperture Range | F1.5 to F4.5 |
| IR | |
| IR Distance | 150 m |
| Smart IR | Support |
| PTZ | |
| Movement Range (Pan) | 360° endless |
| Pan Speed | Configurable, from 0.1°/s to 50°/s, Preset speed: 50°/s |
| Movement Range (Tilt) | From -90° to 90° (auto-flip) |
| Tilt Speed | Configurable, from 0.1°/s to 40°/s Preset Speed: 40°/s |
| Proportional Zoom | Support |
| Presets | 300 |
| Patrol Scan | 8 patrols, up to 32 presets for each patrol |
| Pattern Scan | 4 pattern scans, record time over 10 minutes for each scan |
| Power-off Memory | Support |
| Park Action | Preset/Pattern Scan/Patrol Scan/Auto Scan/Tilt Scan/Random Scan/Frame Scan/Panorama Scan |
| 3D Positioning | Support |
| PTZ Position Display | Support |
| Preset Freezing | Support |
| Scheduled Task | Preset/Pattern Scan/Patrol Scan/Auto Scan/Tilt Scan/Random Scan/Frame Scan/Panorama Scan/Dome Reboot/Dome Adjust/Aux Output |
| Compression Standard | |
| Video Compression | Main Stream: H.265+/H.265/H.264+/H.264 Sub-stream: H.265/H.264/MJPEG Third Stream: H.265/H.264/MJPEG |
| H.264 Type | Baseline Profile/Main Profile/High Profile |

| | |
|------------------------|--|
| H.264+ | Support |
| H.265 Type | Main Profile |
| H.265+ | Support |
| Video Bitrate | 32 Kbps to 16384 Kbps |
| Audio Compression | G.711alaw/G.711ulaw/G.722.1/G.726/MP2L2/PCM |
| Audio Bitrate | 64 Kbps (G.711)/16 Kbps (G.722.1)/16 Kbps (G.726)/32 Kbps to 192 Kbps (MP2L2) |
| SVC | Support |
| Smart Features | |
| Basic Event | Motion Detection, Alarm Input, Alarm Output, Video Tampering Detection, Exception |
| Smart Event | Face Detection, Audio Exception Detection, Intrusion Detection, Line Crossing Detection, Region Entrance Detection, Region Exiting Detection |
| Smart Record | Dual-VCA |
| ROI | Main stream, sub-stream, and third stream respectively support four fixed areas. |
| Image | |
| Max. Resolution | 1920 × 1080 |
| Main Stream | 50Hz: 25fps (1920 × 1080, 1280 × 960, 1280 × 720) 60Hz: 30fps (1920 × 1080, 1280 × 960, 1280 × 720) |
| Sub-Stream | 50Hz: 25fps (704 × 576, 640 × 480, 352 × 288) 60Hz: 30fps (704 × 480, 640 × 480, 352 × 240) |
| Third Stream | 50Hz: 25fps (1920 × 1080, 1280 × 960, 1280 × 720, 704 × 576, 640 × 480, 352 × 288) 60Hz: 30fps (1920 × 1080, 1280 × 960, 1280 × 720, 704 × 480, 640 × 480, 352 × 240) |
| Image Enhancement | HLC/BLC/3D DNR/Defog/EIS/Regional Exposure/Regional Focus |
| Network | |
| Network Storage | Built-in memory card slot, support Micro SD/SDHC/SDXC, up to 256 GB; NAS (NPS, SMB/CIFS) |
| Alarm Linkage | Alarm actions, such as Notify Surveillance Center, Upload to FTP, Send Email, Trigger Recording, Recording Linkage, and Alarm Input, etc. |
| Protocols | IPv4/IPv6, HTTP, HTTPS, 802.1x, Qos, FTP, SMTP, UPnP, SNMP, DNS, DDNS, NTP, RTSP, RTCP, RTP, TCP/IP, UDP, IGMP, ICMP, DHCP, PPPoE, Bonjour |
| API | Open-ended, support ONVIF, ISAPI, and CGI, support HIKVISION SDK and Third-Party Management Platform |
| Simultaneous Live View | Up to 20 channels |
| User/Host | Up to 32 users 3 levels: Administrator, Operator and User |
| Security Measures | User authentication (ID and PW), Host authentication (MAC address); HTTPS encryption; IEEE 802.1x port-based network access control; IP address filtering |
| Client | iVMS-4200, iVMS-4500, iVMS-5200, Hik-Connect |
| Web Browser | IE 8 to 11, Chrome 31.0 to 44, Firefox 30.0 to 51 |
| Interface | |
| Alarm Interface | 7-ch alarm input and 2-ch alarm output |
| Audio Interface | 1-ch audio input and 1-ch audio output |
| Network Interface | 1 RJ45 10 M/100 M Ethernet |
| BNC | 1.0V [p-p]/75 Ω, NTSC (or PAL) composite |
| General | |
| Power | 100 VAC to 240 VAC Max.: 100 W (Max. 15 W for IR) |
| Working Temperature | -40°C to 60°C (-40°F to 140°F) |
| Working Humidity | ≤ 90% |
| Protection Level | IP68 Standard, TVS 6000V Lightning Protection, Surge Protection and Voltage Transient Protection |
| Material | SUS316L |

| | |
|-----------------------------|---|
| Explosion-proof Certificate | TUV 17 ATEX 8118, IECEx TUR 17.0049 |
| Dimensions | 440 mm × 258 mm × 510 mm (17.32" × 10.16" × 20.08") |
| Weight | Approx. 36.7 kg (80.91 lb) |

Available Model

DS-2DY9236I-CWX(W/316L), 100 VAC to 240 VAC

Dimensions

Unit: mm