

Specification

| Camera Module | |
|-----------------------|---------------------------------------------------------------------------------------------------------------------------------------------------------------|
| Image Sensor | 2/3" progressive scan CMOS |
| Min. Illumination | Color: 0.005 Lux @(F1.5, AGC ON) B/W: 0.0005 Lux @(F1.5, AGC ON) |
| White Balance | Auto/Manual/ATW (Auto-tracking White Balance)/Indoor/Outdoor/Fluorescent Lamp/Sodium Lamp |
| Gain | Auto/Manual |
| Shutter Time | 1/1 s to 1/30,000 s |
| Day & Night | IR Cut Filter |
| Digital Zoom | 16× |
| Privacy Mask | 24 programmable polygon privacy masks |
| Focus Mode | Auto/Semi-automatic/Manual |
| WDR | Digital WDR |
| Rapid Focus | Yes |
| Lens | |
| Focal Length | 7.5 mm to 187.5 mm, 25× optical zoom |
| Zoom Speed | Approx. 6.4 s (optical lens, wide-tele) |
| FOV | Horizontal field of view: 56.1° to 3.0° (wide-tele) Vertical field of view: 33.4° to 1.7° (wide-tele) Diagonal field of view: 62.9° to 3.4° (wide-tele) |
| Working Distance | 10 mm to 1500 mm (wide-tele) |
| Aperture Range | F1.5 to F4.0 |
| PTZ | |
| Movement Range (Pan) | 360° endless |
| Pan Speed | Configurable, from 0.1°/s to 350°/s, preset speed: 540°/s |
| Movement Range (Tilt) | From -20° to 90° (auto flip) |
| Tilt Speed | Configurable, from 0.1°/s to 240°/s, Preset Speed: 400°/s |
| Proportional Zoom | Yes |
| Presets | 300 |
| Patrol Scan | 8 patrols, up to 32 presets for each patrol |
| Pattern Scan | 4 pattern scans, record time over 10 minutes for each scan |
| Power-off Memory | Yes |
| Park Action | Preset/Pattern Scan/Patrol Scan/Auto Scan/Tilt Scan/Random Scan/Frame Scan/Panorama Scan |
| 3D Positioning | Yes |
| PTZ Position Display | Yes |
| Preset Freezing | Yes |
| Scheduled Task | Preset/Pattern Scan/Patrol Scan/Auto Scan/Tilt Scan/Random Scan/Frame Scan/Panorama Scan/Dome Reboot/Dome Adjust/Aux Output |
| Compression Standard | |
| Video Compression | Main Stream: H.265+/H.265/H.264+/H.264 Sub-Stream: H.265/H.264/MJPEG Third Stream: H.265/H.264/MJPEG |
| H.264 Type | Baseline Profile/Main Profile/High Profile |
| H.264+ | Yes |
| H.265 Type | Main Profile |
| H.265+ | Yes |
| Video Bitrate | 32 Kbps to 16384 Kbps |
| Audio Compression | G.711alaw/G.711ulaw/G.722.1/G.726/MP2L2/PCM |

| | |
|------------------------|------------------------------------------------------------------------------------------------------------------------------------------------------------------------------------------------------------------------------------------|
| Audio Bitrate | 64Kbps(G.711)/16Kbps(G.722.1)/16Kbps(G.726)/32-160Kbps(MP2L2) |
| Smart Feature | |
| Perimeter Protection | Intrusion, Line Crossing, Region Entrance, Region Exiting Support alarm triggering by specified target types (human and vehicle) Filtering out mistaken alarm caused by target types such as leaf, light, animal, and flag, etc. |
| Event Detection | Unattended Baggage Detection, Object Removal Detection, Face Detection, Audio Exception Detection |
| Smart Tracking | Manual Tracking, Auto Tracking (support tracking specified target types such as human and vehicle), Event Tracking |
| Smart Record | ANR (Automatic Network Replenishment), Dual-VCA |
| ROI | Eight fixed region for each stream |
| Image | |
| Max. Resolution | 4096 × 2160 |
| Main Stream | 50Hz: 25fps (4096 × 2160, 3840 × 2160, 3072 × 1728, 2560 × 1440, 2048 × 1536, 1920 × 1080, 1280 × 960, 1280 × 720) 60Hz: 30fps (4096 × 2160, 3840 × 2160, 3072 × 1728, 2560 × 1440, 2048 × 1536, 1920 × 1080, 1280 × 960, 1280 × 720) |
| Sub-Stream | 50Hz: 25fps (704 × 576, 640 × 480, 352 × 288) 60Hz: 30fps (704 × 480, 640 × 480, 352 × 240) |
| Third Stream | 50Hz: 25fps (1920 × 1080, 1280 × 960, 1280 × 720, 704 × 576, 640 × 480, 352 × 288) 60Hz: 30fps (1920 × 1080, 1280 × 960, 1280 × 720, 704 × 480, 640 × 480, 352 × 240) |
| Image Enhancement | HLC/BLC/3D DNR/Optical Defog/EIS/Regional Exposure/Regional Focus |
| SVC | Support |
| Network | |
| Network Storage | Built-in memory card slot, support Micro SD/SDHC/SDXC, up to 256 GB; NAS (NFS, SMB/CIFS), ANR |
| Alarm Linkage | Alarm actions, such as Preset, Patrol Scan, Pattern Scan, Memory Card Video Record, Trigger Recording, Notify Surveillance Center, Upload to FTP/Memory Card/NAS, Send Email, etc. |
| Protocols | IPv4/IPv6, HTTP, HTTPS, 802.1x, Qos, FTP, SMTP, UPnP, SNMP, DNS, DDNS, NTP, RTSP, RTCP, RTP, TCP/IP, DHCP, PPPoE, UDP, IGMP, ICMP, Bonjour |
| API | Open-ended, support ONVIF, ISAPI, and CGI, support HIKVISION SDK and Third-Party Management Platform |
| Simultaneous Live View | Up to 20 channels |
| User/Host | Up to 32 users. 3 levels: Administrator, Operator and User |
| Security Measures | User authentication (ID and PW), Host authentication (MAC address); HTTPS encryption; IEEE 802.1x port-based network access control; IP address filtering |
| Client | iVMS-4200, iVMS-4500, iVMS-5200, Hik-Connect |
| Web Browser | IE 8 to 11, Chrome 31.0 to 44, Firefox 30.0 to 51 |
| Interface | |
| Alarm | 7-ch alarm input/2-ch alarm output |
| Audio | 1-ch audio input, 2.0 to 2.4Vp-p, 1k Ohm±10% 1-ch audio output, line level, impedance: 600Ω |
| Network Interface | 1 RJ45 10 M/100 M Ethernet Interface, Hi-PoE |
| RS-485 | Half duplex, HIKVISION, Pelco-P, Pelco-D, self-adaptive |
| BNC | 1.0 V [p-p]/75 Ω, NTSC (or PAL) composite, BNC |
| General | |
| Power | 24 VAC (max. 60 W, including max.10 W for heater) , Hi-PoE (max. 50 W, including max.10 W for heater) |
| Working Environment | Temperature: -40°C to 70°C (-40°F to 158°F) Humidity: ≤ 90% |
| Protection Level | IP67 Standard, IK10, 6000V Lightning Protection, Surge Protection and Voltage Transient Protection |

| | |
|------------|---------------------------------------|
| Material | Aluminum alloy |
| Dimensions | Φ 231.1 mm × 355.6 mm (Φ 9.10" × 14") |
| Weight | Approx. 6 kg (13.23 lb) |

DORI

The DORI (detect, observe, recognize, identify) distance gives the general idea of the camera ability to distinguish persons or objects within its field of view.

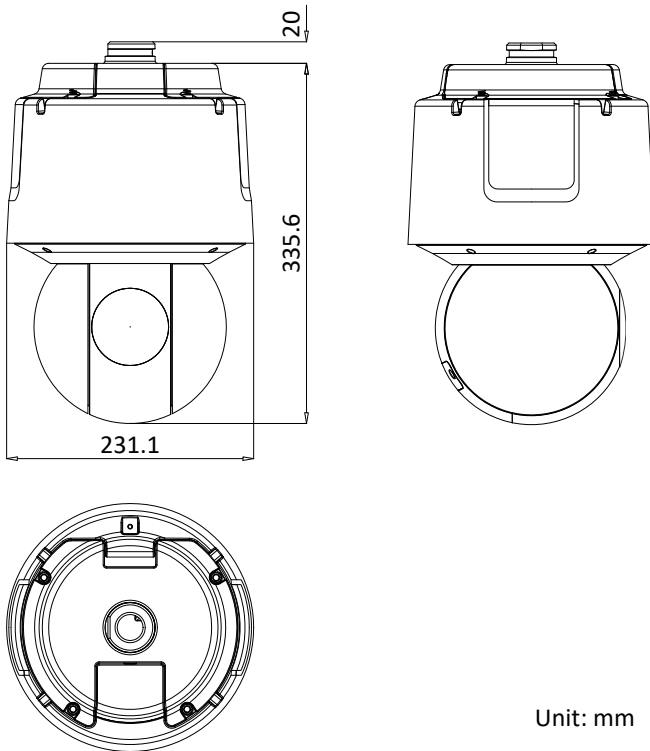
It is calculated based on the camera sensor specification and the criteria given by EN 62676-4: 2015.

| DORI | Detect | Observe | Recognize | Identify |
|-----------------|-----------------------|----------------------|---------------------|---------------------|
| Definition | 25 px/m | 63 px/m | 125 px/m | 250 px/m |
| Distance (Tele) | 3680.0 m (12073.5 ft) | 1460.3 m (4791.1 ft) | 736.0 m (2414.7 ft) | 368.0 m (1207.3 ft) |

Order Model

DS-2DF6A825X-AEL (B), 24 VAC & Hi-PoE

Dimensions



Unit: mm