

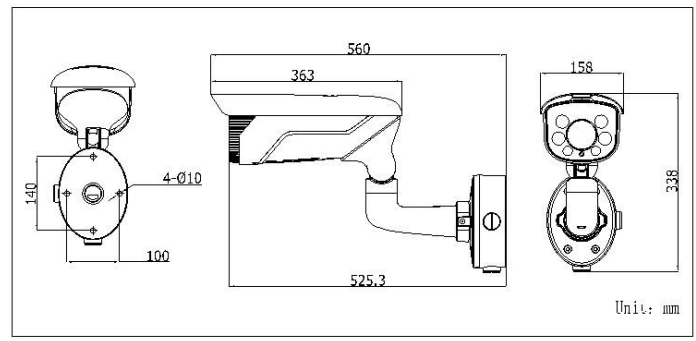
DS-2CD4665F-IZ(H)(S) 6MP Smart Network Bullet Camera



Specification

| Camera | |
|-----------------------------|---|
| Image Sensor | 1/1.8" Progressive Scan CMOS |
| Min. Illumination | 0.01 Lux @(F1.2,AGC ON), 0.014 Lux @(F1.4,AGC ON), 0 Lux with IR |
| Shutter Speed | 1s ~ 1/100,000s |
| Slow Shutter | Support |
| Lens | 2.8-12mm @ F1.4, 94.5°~30.5° |
| Auto-iris | DC drive |
| Day & Night | IR cut filter with auto switch |
| WDR | DWDR |
| Compression Standard | |
| Video Compression | H.264+/H.264/MJPEG |
| H.264 Type | Baseline Profile / Main Profile / High Profile |
| Video Bit Rate | 32 Kbps – 16 Mbps |
| Audio Compression(-S) | G.711/G.722.1/G.726/MP2L2 |
| Audio Bit Rate(-S) | 64Kbps(G.711) / 16Kbps(G.722.1) / 16Kbps(G.726) / 32-128Kbps(MP2L2) |
| Image | |
| Max. Resolution | 3072×2048 |
| Frame Rate | 50Hz: 24fps (3072 × 2048), 25fps (3072 × 1728, 2560 × 2048, 2560 × 1920, 2048 × 1536, 1920 × 1080, 1280 × 720) 60Hz: 24fps (3072 × 2048), 30fps (3072 × 1728, 2560 × 2048, 2560 × 1920, 2048 × 1536, 1920 × 1080, 1280 × 720) |
| Third Stream | Independent with Main Stream and Sub Stream, up to 50/60Hz: 10fps@4CIF |
| Image Enhancement | BLC/3D DNR/ROI/Defog |
| Image Setting | Saturation, Brightness, Contrast, Sharpness adjustable by client software or web browser |
| Regional Cropping | Support |
| Day/Night Switch | Auto/Schedule/Triggered by Alarm In |
| Picture Overlay | LOGO picture can be overlaid on video with 128x128 24bit bmp format |
| Network | |
| Network Storage | NAS (Support NFS,SMB/CIFS), ANR |
| Alarm Trigger | Motion detection, Tampering alarm, Network disconnect, IP address conflict, Storage exception |
| Protocols | TCP/IP, UDP, ICMP, HTTP, HTTPS, FTP, DHCP, DNS, DDNS, RTP, RTSP, RTCP, PPPoE, NTP, UPnP, SMTP, SNMP, IGMP, 802.1X, QoS, IPv6, Bonjour |
| Security | User Authentication, Watermark, IP address filtering, Anonymous access |
| Standard | ONVIF(PROFILE S,PROFILE G),ISAPI |
| Interface | |
| Audio (-S) | 1-ch 3.5 mm audio in(Mic in/Line in)/out interface |
| Communication Interface | 1 RJ45 10M/100M/1000M Ethernet port, 1 RS-485 interface |
| Alarm (-S) | 1 input, 1 output (up to DC24V 1A or AC110V 500mA) |
| Video Output | 1Vp-p composite output (75 Ω/BNC) |
| On-board storage | Built-in Micro SD/SDHC/SDXC slot, up to 128 GB |
| Reset Button | Yes |

Dimensions



Audio (-S)

| | |
|-----------------------------|----------------------------------|
| Environment Noise Filtering | Support |
| Audio I/O | Support dual audio track, stereo |
| Audio Sampling Rate | 16kHz / 32kHz / 44.1kHz / 48kHz |

Smart Feature-set

| | |
|-------------------------|---|
| Behavior Analysis | Line crossing detection, Intrusion detection, Region entrance, Region exiting, Unattended baggage, Object removal |
| Line Crossing Detection | Cross a pre-defined virtual line |
| Intrusion Detection | Enter and loiter in a pre-defined virtual region |
| Region Entrance | Enter a pre-defined virtual region from the outside place |
| Region Exiting | Exit from a pre-defined virtual region |
| Unattended Baggage | Objects left over in the pre-defined region such as the baggage, purse, dangerous materials |
| Object Removal | Objects removed from the pre-defined region, such as the exhibits on display. |
| Exception Detections | Scene change detection, Sudden audio increase/decrease detection, Audio loss detection, Defocus detection |
| Recognition | Face detection recognition |
| Statistics | Object Counting (Entrance and Exit object number is accounted and showed on screen in real time) |
| Heat Map | Support |

General

| | |
|----------------------|---|
| Protection Level | IP66 |
| Impact Protection | IK10 |
| IR Distance | Up to 50m |
| Operating Conditions | -30 °C – 60 °C (-22 °F – 140 °F), Humidity 95% or less (non-condensing), -H: -40 °C – 60 °C |
| Power Supply | 24 V AC ± 10%, PoE (802.3at) |
| Power Consumption | 24W MAX |
| Dimensions | 158×338×560 mm (6.22" ×13.31" × 22.05") |
| Weight | 6200 g (13.67 lbs) |

Order Models

DS-2CD4665F-IZ, DS-2CD4665F-IZH, DS-2CD4665F-IZS, DS-2CD4665F-IZHS

Accessories



DS-1275ZJ-4626

Vertical Pole Mount