

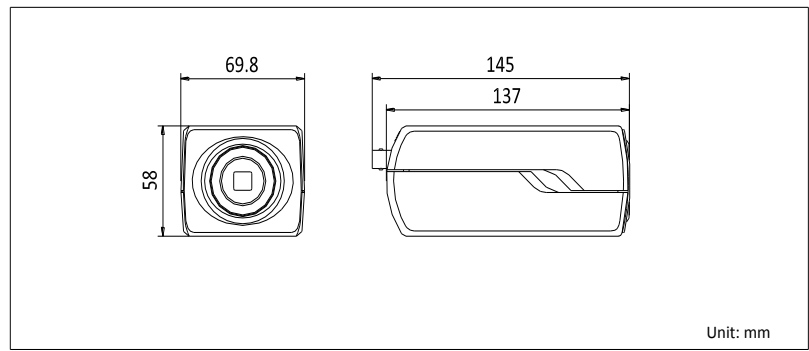
# DS-2CD4085F-(A)(P) 4K Smart Box Camera



## Specification

| <b>Camera</b>               |   |
|-----------------------------|---|
| Image Sensor                | 1/1.7" Progressive Scan CMOS  |
| Min. Illumination           | Color: 0.009 Lux @ (F1.2, AGC ON), B/W: 0.012 Lux @ (F1.2, AGC ON)  |
| Shutter Speed               | 1s ~ 1/100,000s   |
| Slow Shutter                | Support   |
| Lens Mount                  | C/CS mount  |
| Auto-iris                   | DC drive (-P: support P-Iris)   |
| Day & Night                 | IR Cut Filter with auto switch  |
| WDR                         | DWDR  |
| Focus                       | -A: support ABF   |
| <b>Compression Standard</b> |   |
| Video Compression           | H.264+/H.264/ MJPEG   |
| H.264 Type                  | Baseline Profile / Main Profile / High Profile  |
| Video Bit Rate              | 32 Kbps – 16 Mbps   |
| Audio Compression           | G.711/G.722.1/G.726/MP2L2   |
| Audio Bit Rate              | 64Kbps(G.711) / 16Kbps(G.722.1) / 16Kbps(G.726) / 32-128Kbps(MP2L2)   |
| <b>Image</b>                |   |
| Max. Resolution             | 4096 × 2160   |
| Frame Rate                  | 50Hz: 22fps (4096 × 2160), 25fps (3840 × 2160, 1920 × 1080, 1280 × 720)<br>60Hz: 22fps (4096 × 2160), 24fps (3840 × 2160), 30fps(1920 × 1080, 1280 × 720) |
| Third Stream                | Independent with Main Stream and Sub Stream, up to<br>50/60Hz: 10fps(1280 × 720)  |
| Image Enhancement           | BLC/3D DNR/ROI/Defog  |
| Image Setting               | Saturation, Brightness, Contrast, Sharpness adjustable by client software or web browser  |
| Regional Cropping           | Support   |
| Day/Night Switch            | Auto/Schedule/Triggered by Alarm In   |
| Picture Overlay             | LOGO picture can be overlaid on video with 128x128 24bit bmp format   |
| <b>Network</b>              |   |
| Network Storage             | NAS (Support NFS,SMB/CIFS), ANR   |
| Alarm Trigger               | Motion detection, Tampering alarm, Network disconnect, IP address conflict, Storage exception   |
| Protocols                   | TCP/IP, UDP, ICMP, HTTP, HTTPS, FTP, DHCP, DNS, DDNS, RTP, RTSP, RTCP, PPPoE, NTP, UPnP, SMTP, SNMP, IGMP, 802.1X, QoS, IPv6, Bonjour                     |
| Security                    | User Authentication, Watermark, IP address filtering, Anonymous access  |
| Standard                    | ONVIF(PROFILE S,PROFILE G) ,ISAPI   |
| <b>Interface</b>            |   |
| Audio                       | 1-ch 3.5 mm audio in( Mic in/Line in)/out interface, 1 build-in Microphone  |
| Communication Interface     | 1 RJ45 10M/100M/1000M Ethernet port, 1 RS-485 interface and 1 RS-232 interface  |
| Alarm                       | 1 input, 1 output (up to DC24V 1A or AC110V 500mA )   |
| Video Output                | 1Vp-p composite output (75 Ω/BNC)   |
| On-board storage            | Built-in Micro SD/SDHC/SDXC slot, up to 128 GB  |
| Reset Button                | Yes   |

## Dimensions



### Audio

|                             |                                 |
|-----------------------------|---------------------------------|
| Environment Noise Filtering | Support                         |
| Audio I/O                   | Support                         |
| Audio Sampling Rate         | 16kHz / 32kHz / 44.1kHz / 48kHz |

### Smart Feature-set

|                         |   |
|-------------------------|---|
| Behavior Analysis       | Line crossing detection, Intrusion detection, Region entrance, Region exiting, Unattended baggage, Object removal |
| Line Crossing Detection | Cross a pre-defined virtual line  |
| Intrusion Detection     | Enter and loiter in a pre-defined virtual region  |
| Region Entrance         | Enter a pre-defined virtual region from the outside place   |
| Region Exiting          | Exit from a pre-defined virtual region  |
| Unattended Baggage      | Objects left over in the pre-defined region such as the baggage, purse, dangerous materials                       |
| Object Removal          | Objects removed from the pre-defined region, such as the exhibits on display.                                     |
| Exception Detections    | Scene change detection, Sudden audio increase/decrease detection, Audio loss detection, Defocus detection         |
| Recognition             | Face detection recognition  |
| Statistics              | Object Counting (Entrance and Exit object number is accounted and showed on screen in real time)                  |
| Heat Map                | Support   |

### General

|                      |   |
|----------------------|---|
| Operating Conditions | -30 °C – 60 °C (-22 °F – 140 °F), Humidity 95% or less (non-condensing) |
| Power Supply         | 24 V AC ± 10%, 12 V DC ± 10%, PoE (802.3af)                             |
| Power Consumption    | Max. 6 W (Max. 9W with IR cut filter on)                                |
| Dimensions           | 69.8×58×145 mm (2.75" × 2.28" × 5.71")                                  |
| Weight               | 830 g (1.83 lbs)  |

### Order Models

Lens no included models: DS-2CD4085F, DS-2CD4085F-A, DS-2CD4085F-P, DS-2CD4085F-AP

## Accessories



HV3816D-8MPIR

3.8~16mm DC Iris Lens

HV3816P-8MPIR

3.8~16mm P-Iris Lens



HV1140D-8MPIR

11~40mm DC Iris Lens

HV1140P-8MPIR

11~40mm P-Iris Lens



DS-1299ZJ

Pendant Mount



DS-1292ZJ

Wall Mount



DS-1332HZ

Indoor Housing



DS-1330HZ

Indoor Housing



DS-1331HZ series

Outdoor Housing



DS-1340HZ

Outdoor Housing